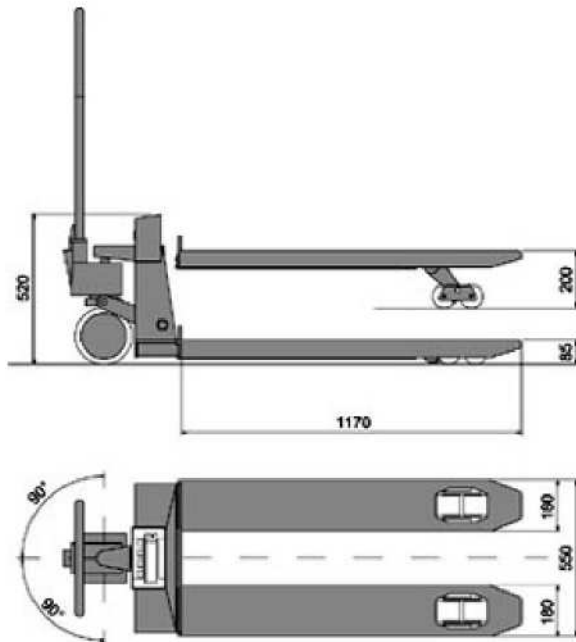


TPWN09 "NETWORK" SERIES PALLET TRUCK SCALE



TPWN



dimensioni in mm

Easy to use and handy pallet trucks with integrated electronic weighing. It is fitted with 4 shear-beam load cells, that guarantee the maximum precision in the weighing applications, and a multifunctional weight indicator, with large backlit display that allows an optimal reading of the weight in any lighting condition.

Available also with the remote control on the handle-bar and in TRIPLE RANGE model.

MAIN FEATURES

Maximum lifting capacity: 2000 kg.

Accuracy: +/- 0.5% of the maximum capacity on single-range version.

Accuracy: +/- 0.1% of the maximum capacity on multi-range version.

Fork dimensions: 1150 x 550 x 85 mm.

Weighs about 125 kg.

Structure in extra thick steel and oven-fire painted mechanics.

Steering wheels and double loading rollers with a polyurethane coating.

4 aluminium shear-beam load cells.

Weight indicator with 6 25mm digits on a backlit LCD display, which are clearly visible even in poor lighting conditions, and waterproof keyboard, with 5 functional keys.

Configuration, calibration and diagnostics from keyboard.

Power supply through 4 AA batteries, which may also be rechargeable.

The operating time is of about 40 hours of continuous use, or one month with the typical non continuous use, thanks to its auto switch-off function.

Programmable auto power saving function.

Battery level indication.

IP input for managing the remote control.

SELECTABLE FUNCTIONS

High Resolution Weighing x 10

Net/Gross or lb/kg conversion

Totalization

Formula weighing

+/- checkweighing

Percentage weighing

Counting

KEYBOARD FUNCTIONS

Zeroing, semi automatic tare, manual tare, activation of the selected function, print, ON/OFF

I/O SECTION

Infra-red port for remote control on handle-bar (the remote control is optional).

OPTIONS TO BE SPECIFIED WHEN ORDERING

Parking brake. Remote control handle-bar. Special wheels available with price estimate

Code	Capacity max kg	Division kg	Price €
TPWN09	2000	1	1.250.00
TPWN093R	500 / 1000 / 2000	0,5 / 1 / 2	1.640.00

Code	Description	Price €
DFTL	Remote control for use up to 8 m of distance	80,00
TPWFRE	Parking brake system with command pedal mounted on steering wheels.	210,00